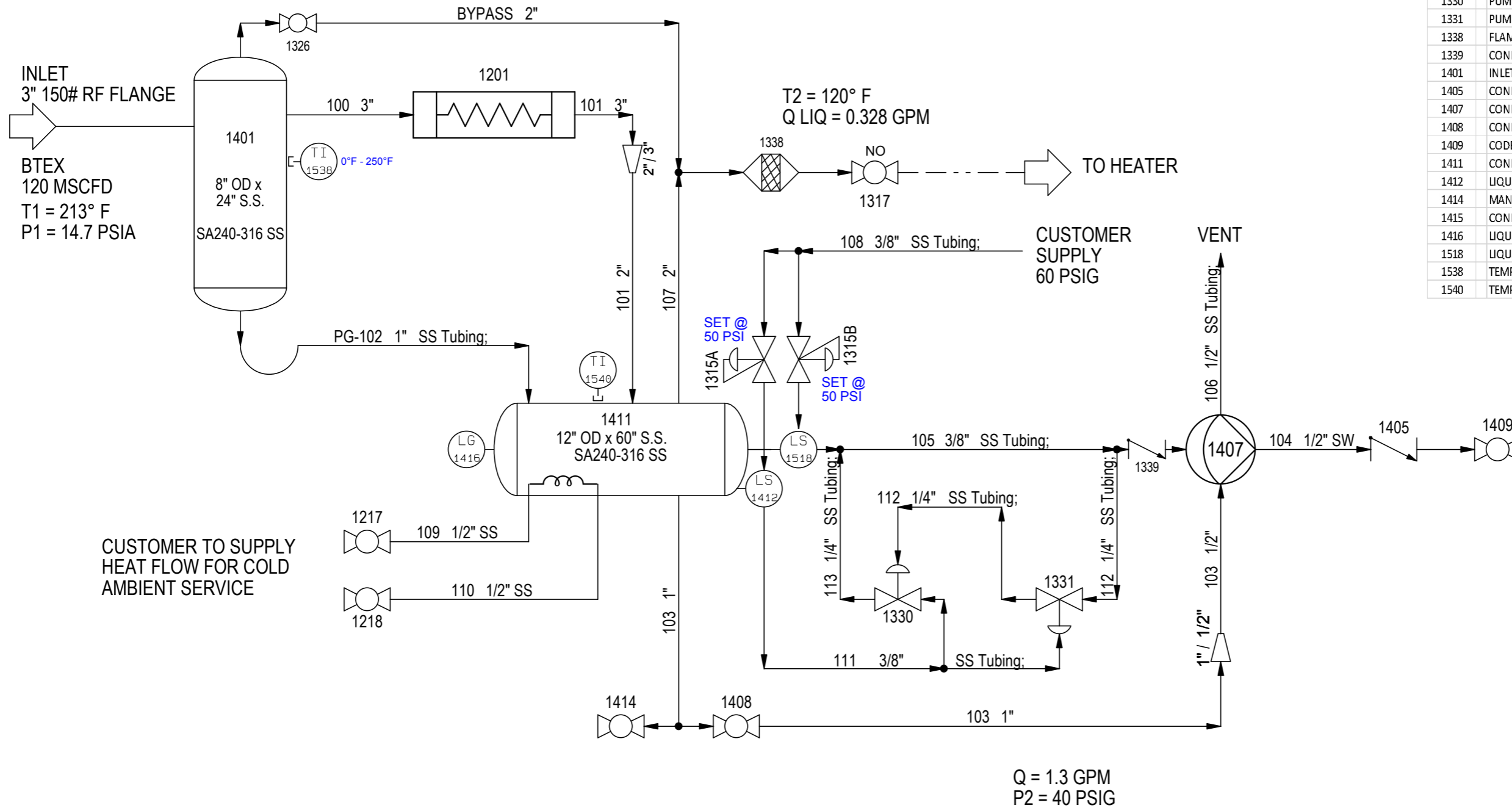


CONDENSER RATING
 AIR FLOW - 3 MPH
 100° F AMBIENT
 283 MBTU/H HEAT LOAD


LEGEND	
1201	HEAT EXCHANGER ASSEMBLY
1217	ISOLATION VALVE
1218	ISOLATION VALVE
1315 A, B	INST. CONTROL REGULATOR W/ITEMS 1412 & 1518
1317	DISCHARGE ISOLATION VALVE
1326	BYPASS ISO VALVE
1330	PUMP CONTROL SOLENOID
1331	PUMP CONTROL SOLENOID
1338	FLAME ARRESTER
1339	CONDENSATE PUMP INLET CHECK VALVE
1401	INLET VESSEL
1405	CONDENSATE PUMP CHECK VALVE
1407	CONDENSATE PUMP
1408	CONDENSATE PUMP ISO VALVE
1409	CONDENSATE PUMP DRAIN VALVE
1411	CONDENSATE VESSEL
1412	LIQUID LEVEL SWITCH LOW
1414	MANUAL DUMP VALVE
1415	CONDENSATE CHECK VALVE
1416	LIQUID LEVEL SITE GAUGE
1518	LIQUID LEVEL SWITCH HIGH
1538	TEMPERATURE GAUGE INLET VESSEL
1540	TEMPERATURE GAUGE



CUSTOMER TO SUPPLY
 HEAT FLOW FOR COLD
 AMBIENT SERVICE

Q = 1.3 GPM
 P2 = 40 PSIG

**ALL PIPING & TUBING
 TO BE 316 SS**

Responsible dept.	Technical reference	Created by DB	Checked by	Approved by	Scale 1:1
		Document type P & ID	Document status For Approval		
		Title, Supplementary title BTEX CONDENSER UNIT 283 MBTUH CONVECTION	Drawing number Q-0517 ANADARKO		
		Rev. 2	Date of issue 5-12-17	Lang.	Page 1/1